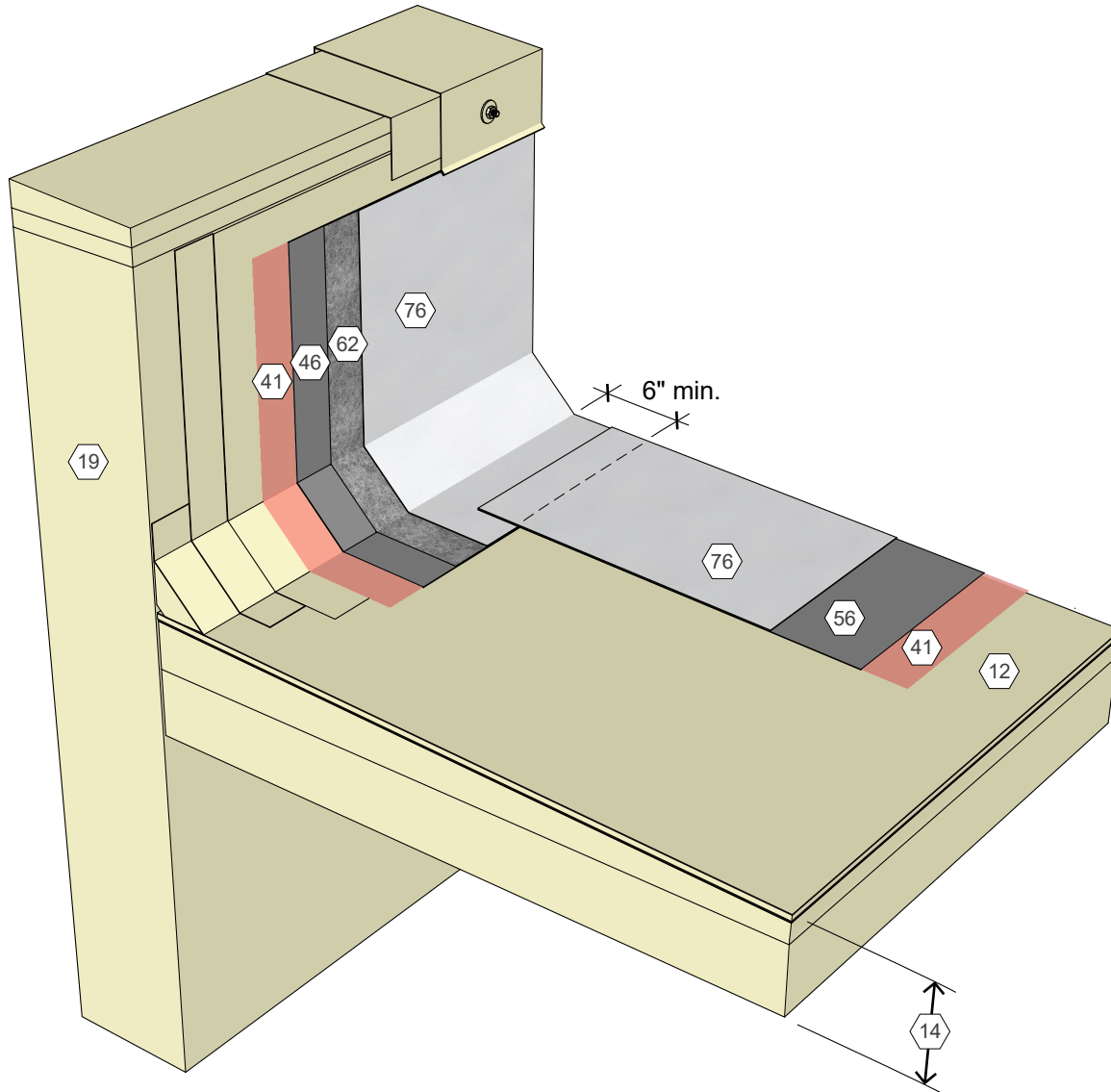


## KEY NOTES

- 11 Existing Single-Ply Membrane
- 14 Existing Structural Deck and Insulation Assembly
- 19 Existing Wall Assembly
- 41 Approved Primer
- 46 SOLARGARD Seam Sealer or SOLARGARD 6083 Base Coat
- 56 SOLARGARD 6083 Base Coat
- 62 Permafab
- 76 SOLARGARD 6083 Finish Coat

SOLARGARD® 6083 Restoration Detail, Single-Ply, Coping Cap  
Detail 18011



**KEY NOTES**

- 12 Existing MB or Smooth BUR
- 14 Existing Structural Deck and Insulation Assembly
- 19 Existing Wall Assembly
- 41 Approved Primer
- 46 SOLARGARD Seam Sealer or SOLARGARD 6083 Base Coat
- 56 SOLARGARD 6083 Base Coat
- 62 Permafab
- 76 SOLARGARD 6083 Finish Coat

SOLARGARD® 6083 Restoration Detail, MB or Smooth BUR, Coping Cap  
 Detail 18012